

Threaded Lifting Pins

Steel / Stainless Steel, Self-Locking, with Rotating Shackles

SPECIFICATION

Steel **ST**

- Pin, shackle
- Heat-treated, manganese phosphated

Stainless steel **NI**

- Pin, AISI 630
Precipitation hardened
- Shackle, AISI 316Ti

Threaded segments

- Stainless steel AISI 630
- Precipitation hardened

Push button

Aluminum, orange anodized

Spring

Stainless steel



INFORMATION

Threaded lifting pins GN 1135 are support elements designed for quick and easy use. Pressing the operation button unlocks the threaded segments, allowing the pin to be moved in or out of the mounting thread. This eliminates the time-consuming process of screwing in or out encountered with typical lifting gear, such as lifting eye bolts.

Assuming sufficient material strength, only true-to-gauge threaded holes are required to make use of the threaded lifting pins.

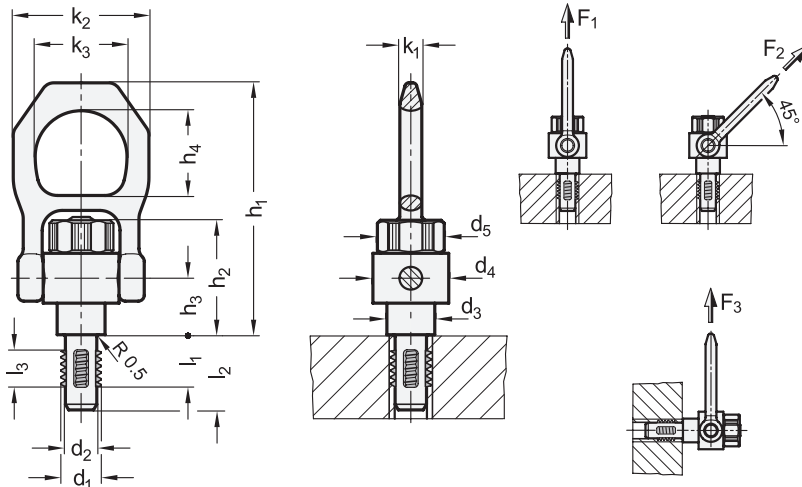
The shackle swivels by 180°, fully rotates around the pin and always aligns itself in the direction of load without causing the pin to turn. This prevents the threaded lifting pin from being screwed out of the thread and the workpiece can be lifted safely. A safety bar protects the button from unintentional operation.

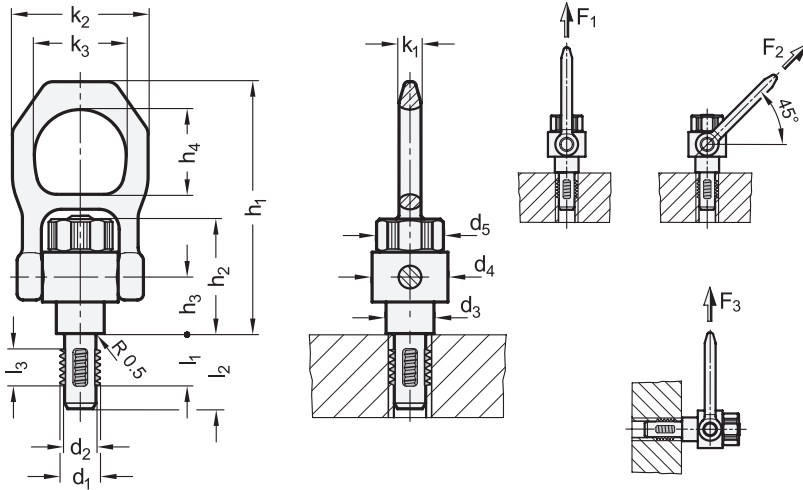
For further application guidelines, see the operating instructions enclosed with every threaded lifting pin

- Operating instruction GN 1135 (see page 3)

TECHNICAL INFORMATION

- Stainless Steel Characteristics (see page A26)





GN 1135-ST

Description	d1	l1	d2 -0.07	d3	d4	d5	h1	h2	h3	h4	k1	k2	k3	l2	l3	Max torque in Nm	Nominal load in kN* F1	Nominal load in kN* F2	Nominal load in kN* F3	⚖️
GN 1135-M8-12-ST	M 8	12	6.62	20	38	33.5	123.7	54.9	25.7	42.5	11	68	46	17.8	8	2	2.1	0.9	0.8	605
GN 1135-M10-14-ST	M 10	14	8.35	20	38	33.5	123.7	54.9	25.7	42.5	11	68	46	20	10	2	3.9	1.5	1.5	686
GN 1135-M12-17-ST	M 12	17	10.07	20	38	33.5	123.7	54.9	25.7	42.5	11	68	46	24	12	2	6.2	2.5	2.3	688
GN 1135-M16-17-ST	M 16	17	13.8	20	38	33.5	123.7	54.9	25.7	42.5	11	68	46	24	12	2	8.4	4.5	4.2	700
GN 1135-M20-22-ST	M 20	22	17.25	35	59	50	167.5	73.7	36.5	55.6	15.5	102	70	30	17	3	16.6	7.7	5	1833

GN 1135-NI

STAINLESS STEEL

Description	d1	l1	d2 -0.07	d3	d4	d5	h1	h2	h3	h4	k1	k2	k3	l2	l3	Max torque in Nm	Nominal load in kN* F1	Nominal load in kN* F2	Nominal load in kN* F3	⚖️
GN 1135-M8-12-NI	M 8	12	6.62	20	38	33.5	123.7	54.9	25.7	42.5	11	68	46	17.8	8	2	2.1	0.9	0.8	612
GN 1135-M10-14-NI	M 10	14	8.35	20	38	33.5	123.7	54.9	25.7	42.5	11	68	46	20	10	2	3.9	1.5	1.5	698
GN 1135-M12-17-NI	M 12	17	10.07	20	38	33.5	123.7	54.9	25.7	42.5	11	68	46	24	12	2	6.2	2.5	2.3	702
GN 1135-M16-17-NI	M 16	17	13.8	20	38	33.5	123.7	54.9	25.7	42.5	11	68	46	24	12	2	8.4	4.5	4.2	708
GN 1135-M20-22-NI	M 20	22	17.25	35	59	50	167.5	73.7	36.5	55.6	15.5	102	70	30	17	3	16.6	7.7	5	1973

* With 5-fold anti-fracture safety

